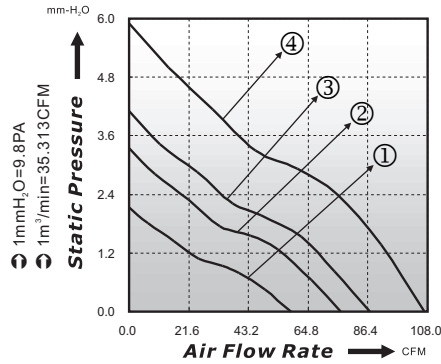


**120X120X25 mm**  
58.87~106.73 CFM

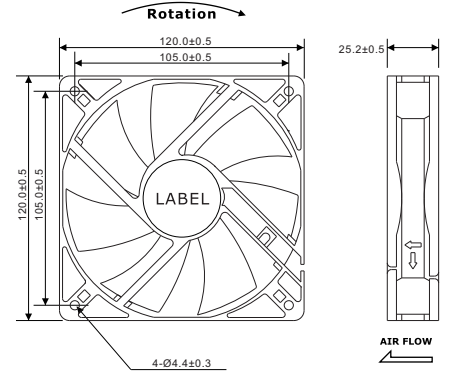


Type A

■ P-Q Curve (At Rated Voltage)



■ Dimensions Drawing



Model NO.	Bearing(※)				Rated Voltage (VDC)	Rated Current (A)	Power Consumption (Watts)	Speed (rpm)	Air Flow (CFM)	Static Pressure (mm-H <sub>2</sub> O)	Noise (dBA)	Curve
	○	▲	●	⊖								
PLA12025B12L	✓	✓	✓	✓	12	0.12	1.44	1800	58.87	2.13	32.1	1
PLA12025B12M	✓	✓	✓	✓	12	0.20	2.40	2200	76.45	3.34	37.6	2
PLA12025B12H	✓	✓	✓	✓	12	0.28	3.36	2600	87.00	4.10	41.9	3
PLA12025B24L	✓	✓	✓	✓	24	0.10	2.40	1800	58.87	2.13	32.1	1
PLA12025B24M	✓	✓	✓	✓	24	0.13	3.12	2200	76.45	3.34	37.6	2
PLA12025B24H	✓	✓	✓	✓	24	0.20	4.80	2600	87.00	4.10	41.9	3
PLA12025B48L	✓	✓	✓	✓	48	0.06	2.88	1800	58.87	2.13	32.1	1
PLA12025B48M	✓	✓	✓	✓	48	0.10	4.80	2200	76.45	3.34	37.6	2
PLA12025B48H	✓	✓	✓	✓	48	0.14	6.72	2600	87.00	4.10	41.9	3
PLA12025B48HH	✓	✓	✓	✓	48	0.18	8.64	3200	106.73	5.90	47.3	4

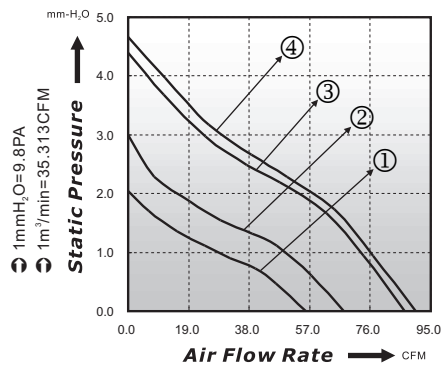
※ Bearing Type: ○ Sleeve ▲ One Ball and One Sleeve ● Two Ball ⊖ Hydro-Dynamic

**120X120X25 mm**  
55.71~90.26 CFM

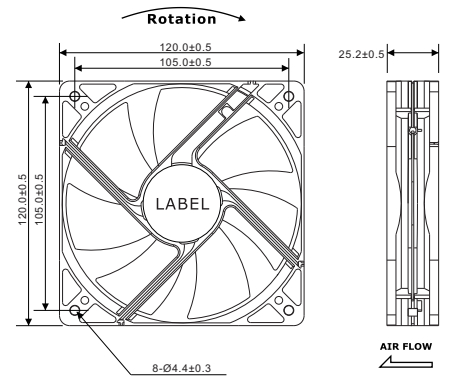


Type B

■ P-Q Curve (At Rated Voltage)



■ Dimensions Drawing



Model NO.	Bearing(※)				Rated Voltage (VDC)	Rated Current (A)	Power Consumption (Watts)	Speed (rpm)	Air Flow (CFM)	Static Pressure (mm-H <sub>2</sub> O)	Noise (dBA)	Curve
	○	▲	●	⊖								
PLA12025B12L	✓	✓	✓	✓	12	0.20	2.40	1800	55.71	2.04	32.1	1
PLA12025B12M	✓	✓	✓	✓	12	0.31	3.72	2200	67.76	3.00	37.6	2
PLA12025B12H	✓	✓	✓	✓	12	0.36	4.32	2600	86.92	4.39	41.9	3
PLA12025B12HH	✓	✓	✓	✓	12	0.42	5.04	2800	90.26	4.97	42.5	4

※ Bearing Type: ○ Sleeve ▲ One Ball and One Sleeve ● Two Ball ⊖ Hydro-Dynamic