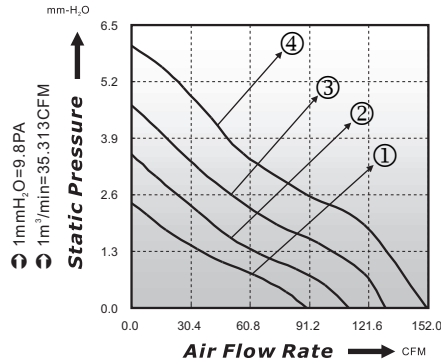


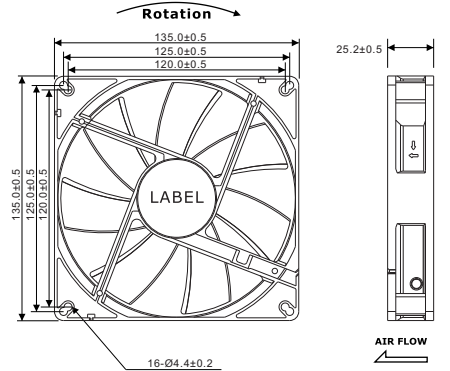
**135X135X25 mm**  
89.61~151.39 CFM



■ P-Q Curve (At Rated Voltage)



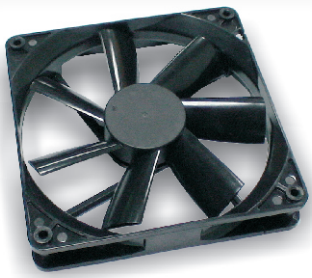
■ Dimensions Drawing



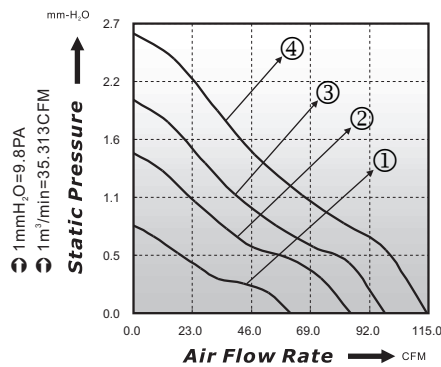
Model NO.	Bearing(※)				Rated Voltage (VDC)	Rated Current (A)	Power Consumption (Watts)	Speed (rpm)	Air Flow (CFM)	Static Pressure (mm-H <sub>2</sub> O)	Noise (dBA)	Curve
	○	▲	●	⊖								
PLA13525B12L	✓	✓	✓	✓	12	0.28	3.36	1600	89.61	2.42	35.1	1
PLA13525B12M	✓	✓	✓	✓	12	0.40	4.80	2000	111.10	3.53	41.6	2
PLA13525B12H	✓	✓	✓	✓	12	0.56	6.72	2400	130.20	4.65	46.8	3
PLA13525B12HH	✓	✓	✓	✓	12	1.00	12.00	2800	151.39	6.03	50.6	4
PLA13525B24L	✓	✓	✓	✓	24	0.20	4.80	1600	89.61	2.42	35.1	1
PLA13525B24M	✓	✓	✓	✓	24	0.26	6.24	2000	111.10	3.53	41.6	2
PLA13525B24H	✓	✓	✓	✓	24	0.35	8.40	2400	130.20	4.65	46.8	3
PLA13525B24HH	✓	✓	✓	✓	24	0.46	11.04	2800	151.39	6.03	50.6	4

※ Bearing Type: ○ Sleeve ▲ One Ball and One Sleeve ● Two Ball ⊖ Hydro-Dynamic

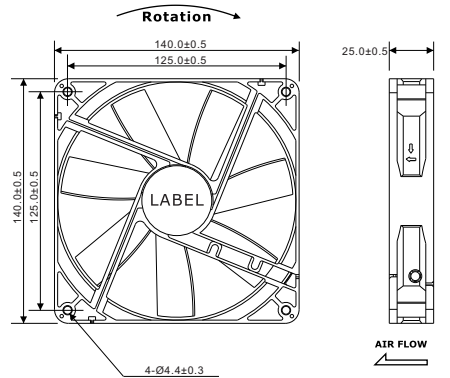
**140X140X25 mm**  
61.26~114.39 CFM



■ P-Q Curve (At Rated Voltage)



■ Dimensions Drawing



Model NO.	Bearing(※)				Rated Voltage (VDC)	Rated Current (A)	Power Consumption (Watts)	Speed (rpm)	Air Flow (CFM)	Static Pressure (mm-H <sub>2</sub> O)	Noise (dBA)	Curve
	○	▲	●	⊖								
PLA14025B12L	✓	✓	✓	✓	12	0.20	2.40	900	61.26	0.82	22.7	1
PLA14025B12M	✓	✓	✓	✓	12	0.30	3.60	1200	84.82	1.49	31.0	2
PLA14025B12H	✓	✓	✓	✓	12	0.40	4.80	1500	98.07	1.99	36.3	3
PLA14025B12HH	✓	✓	✓	✓	12	0.50	6.00	1800	114.39	2.61	41.4	4
PLA14025B24L	✓	✓	✓	✓	24	0.10	2.40	900	61.26	0.82	22.7	1
PLA14025B24M	✓	✓	✓	✓	24	0.20	4.80	1200	84.82	1.49	31.0	2
PLA14025B24H	✓	✓	✓	✓	24	0.30	7.20	1500	98.07	1.99	36.3	3
PLA14025B24HH	✓	✓	✓	✓	24	0.40	9.60	1800	114.39	2.61	41.4	4

※ Bearing Type: ○ Sleeve ▲ One Ball and One Sleeve ● Two Ball ⊖ Hydro-Dynamic